

TENHIRE

Our Fleet, Your Projects.



SERVICE
REPAIR / REFURB
TRAINING



SPECIALISED STRINGING & CABLE HAULING EQUIPMENT



TRANSMISSION | DISTRIBUTION | OVERHEAD | UNDERGROUND

TENHIRE



TEN Hire offers its customers access to the largest specialised cable hauling and stringing equipment fleet in Australia. The range includes hydraulic pullers (skid and trailer mounted), brake units (tensioners), puller-tensioners, drum stands, pole pullers and a large range of associated equipment such as presses and pumps, stringing rollers and wire rope. In 2020, TEN expanded its offering to include SRT (Service, Repair & Refurb, Training) – our specialist service and training division.

WHY PARTNER WITH TEN HIRE?

- ▶ Leverage our fleet of specialised stringing and cable hauling equipment – our fleet, your projects
- ▶ We have extensive experience in matching customer stringing requirements to machinery
- ▶ Use the latest technologies and innovative stringing methods to drive productivity and profitability
- ▶ Get the back up and breakdown support of Australia’s leading stringing equipment provider
- ▶ Meet your compliance and risk management objectives
- ▶ Be flexible in scaling up or down as your workload demands
- ▶ Ensure the safety of your operators through competency based training



Availability of all items is to be confirmed prior to acceptance of order. It is our Duty of Care to insist that only suitably trained persons operate these machines. TEN Hire has manufacturer certified staff who will train your personnel in the safe and efficient operation of these machines, a certificate of competency will be issued to personnel who attain the required standard. Training includes operator familiarity with documented risk assessments which pertain to each machine. Our staff are accredited Cert IV trainers and assessors to AQTF standard.

Dimensions are nominal and should not be relied on for engineering purposes. Specifications are subject to change without prior notification. Photographs shown are for illustrative purposes only. The information in this brochure is copyright and should not be reproduced without prior written consent. ©2024, TEN Group, The Energy Network.

ABN - 22 131 907 554
 91 Basalt Street
 GEEBUNG QLD 4034
P +61 7 3212 8999
W www.tenhire.com.au
E hire@tengroup.com.au

CONTENTS

WHY PARTNER WITH TEN HIRE?	2	Hydraulic Drum Elevators Heavy Duty	14
CONTENTS	3	Hydraulic Motor - Reel Winder.....	14
ARS403 Hydraulic Puller - 35kN	4	Hydraulic Hose Set.....	14
AFS303 Hydraulic Puller Tensioner - 25kN.....	5	Steel Drum Axles	14
PT1250 Hydraulic Puller Tensioner - 50kN	6	Cradle Reel Elevators.....	15
AFB506 Hydraulic Puller Tensioner - 90kN	7	Standard Reels (Fixed)	15
PT2451 Digital Puller Tensioner - 100kN	8	Detachable Reels.....	15
Hydraulic Pole Puller - 56T.....	12	Galvanised Steel Anti-twisting Rope with Eye	15
Single Full Frame and Convertible Rollers.....	12	Dyneema Rope- Polyester Covered	15
Triple Bundle Stringing Rollers.....	13	Electric Pumps - 10,000 psi output	16
Universal Stringing Roller.....	13	Hydraulic Single Acting Press Head - 60T.....	16
Universal Roller Bracket.....	13	Hydraulic Double Acting Press Head - 100T.....	16
Reel Winder	14	TEN Hire Request Form	17



ARS403 Hydraulic Puller - 35kN

Overhead and underground



Mine Spec Road Trailer

Features

- Suitable to string one rope
- Bullwheels made of thermally treated steel
- Closed hydraulic circuit for step less speed variation in both rotating directions
- Hydraulic dynamometers with set-point and automatic control of maximum pull
- Hydraulic oil cooling system
- Diesel engine - water cooled
- Control instruments for hydraulic system and diesel engine
- Built in reel winder with automatic level wind
- Interchangeable Reels - Variable rope length available
- Pull pre-setting system
- Pull recording unit available
- Front stabiliser
- Digital meter counter
- 12VDC electrical system

Options

- ▶ 12.7mm Dyneema 12 strand rope
- ▶ 13mm Steel Wire Anti-twist rope
- ▶ Pull Recorder DLR300

TESMEC

MAX PULL	MAX SPEED	ROPE DIAMETER
35kN	3.6km/h	13mm

- ✓ Integrated safety guards
- ✓ Mine Specification
- ✓ Ideal for Overhead and Underground cable hauling

Performance	
Max pull/tension (kN)	35
Speed at max pull/tension (km/hr)	1.2
Max speed (km/hr)	3.6
Pull /tension at max speed (kN)	12
Engine output (kW)	25
Bull wheel Dia. (mm)	325
Rope Dia. (mm)	13



Optional pull recorder



Provision for connection to pull recorder

AFS303 Hydraulic Puller Tensioner - 25kN

Overhead and OPGW



Features

- Used for overhead stringing - one rope or one conductor
- Machine completely electronically controlled
- Bull wheels made of high resistance interchangeable nylon sectors
- Negative self-acting hydraulic brake
- Digital meter counter
- Hydraulic oil cooling system
- Diesel engine - water cooled
- Hydraulic dynamometer with set-point and automatic control of maximum pull
- Grounding device on board
- Configured for Data Logging
- Rigid axle for towing at max speed of 30km/hr with mechanical parking brake
- Gearbox with 3 operating positions; Neutral, Low tension (1 - 5kN) & Nominal tension
- Control instruments for hydraulic system and diesel engine
- Hydraulically actuated front plough stabiliser
- Hydraulic power pack to control 1 drum stand with hydraulic motor or one reel winder
- Machine weight 2700kg

TESMEC

MAX PULL/TEN	MAX SPEED	CONDUCTOR DIAMETER
25kN	5km/h	36mm

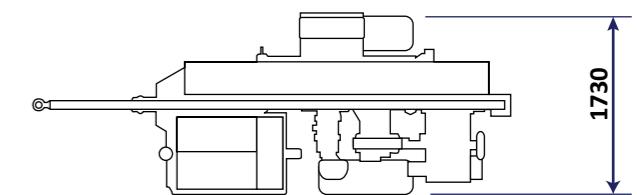
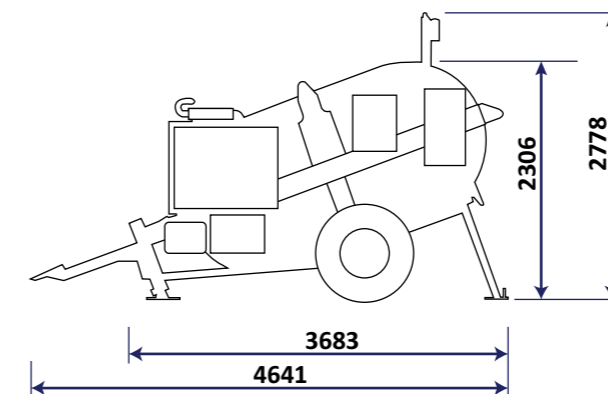
- ✓ Designed for OPGW/Single conductors
- ✓ Lightweight machine
- ✓ Ideal for overhead stringing

Performance	
Max pull/tension (kN)	25
Speed at max pull (km/hr)	2.5
Pull/tension at max speed (kN)	15
Max speed (km/hr)	5

Characteristics	
Engine type	Diesel
Engine output (kW/hp)	34/46
Electrical system (V)	12
Bull wheel Dia. (mm)	1500
Max. conductor Dia. (mm)	36
Max. rope Dia. (mm)	13
Weight (kg)	2700



Completely electronically controlled



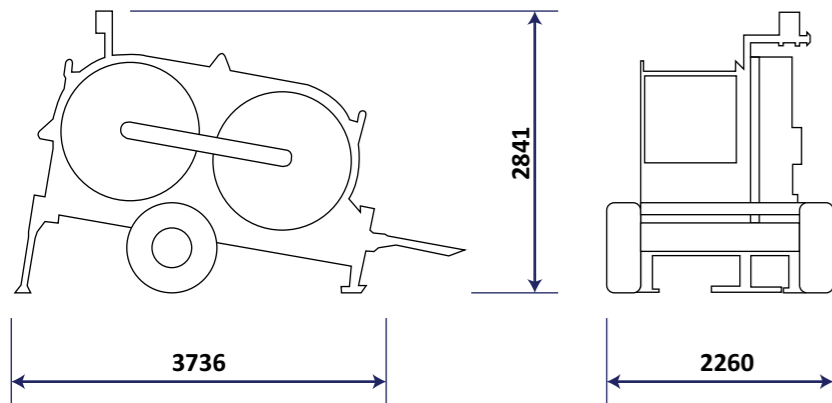
PT1250 Hydraulic Puller Tensioner - 50kN

GEN4.0 TECHNOLOGY



Features

- Used for overhead stringing - one rope or one conductor
- Machine completely electronically controlled through digital HMI system
- Built in data recorder
- Hydraulic rope clamps
- Full radio remote operation with cord and HMI operation fail safes
- Lockable soundproof integrated covers
- Bull wheels made of high resistance interchangeable nylon sectors
- Negative self-acting hydraulic brake
- Hydraulic oil cooling system
- Diesel engine - water cooled
- Grounding device on board
- Rigid axle for towing at max speed of 30km/hr with mechanical parking brake
- Gearbox with 3 operating positions:
 - Neutral position (with free bull-wheels for conductor loading and unloading).
 - Low tension position: 2 ÷ 12 kN as tensioner & 0 ÷ 7 kN as puller
 - Nominal tension position
- Hydraulically actuated front plough stabiliser
- Hydraulic power pack to control 1 drum stand with hydraulic motor or one reel winder
- Machine weight 3700kg excluding fluids



TESMEC

		
MAX PULL/TEN	MAX SPEED	CONDUCTOR DIAMETER
50kN	5km/h	42mm

- ✓ Perfect for Construction and Pre-Conducting
- ✓ Radio Remote Control
- ✓ Ready for immediate use on site

Performance	
Max pull/tension (kN)	50
Speed at max pull (km/hr)	1.5
Pull/tension at max speed (kN)	16
Max speed (km/hr)	5

Characteristics	
Engine Type	2.5 ltr Turbo Diesel
Engine Output (kW/hp)	55.4/ 74
Electrical System (V)	12
Bull wheel Dia. (mm)	1500
Max. conductor Dia. (mm)	42
Max. rope Dia. (mm)	16
Weight (kg)	3700



Hydraulic clamp allows for convenient safe reel change.



7" colour display



Radio remote control

AFB506 Hydraulic Puller Tensioner - 90kN

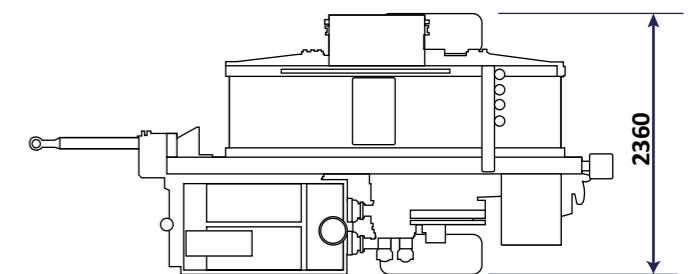
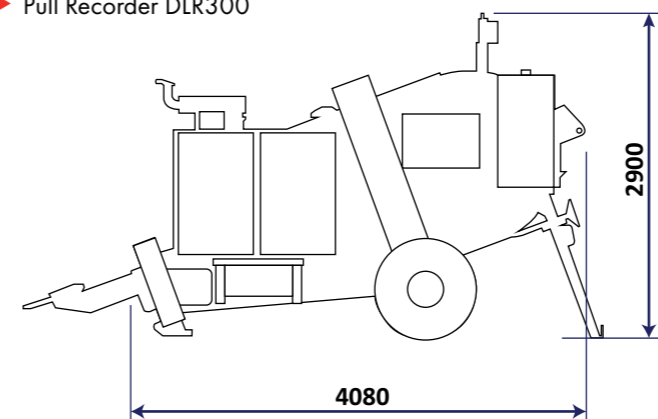


Features

- Used for overhead stringing of one or two ropes or bundled conductors
- Machine completely electronically controlled
- Two pairs of bull wheels with completely independent controls
- Bullwheels lined with high resistance interchangeable nylon sectors
- 2 negative self-acting hydraulic brakes
- Diesel engine - water cooled
- 2 hydraulic dynamometers with set-point and automatic control of maximum pull
- Rigid axle for towing at max speed of 30km/hr
- Hydraulic power pack to control up to 2 reel stands with hydraulic motor or two-reel winders with independent controls
- Synchronising mechanism
- 2 digital meter counters
- Gearbox with 3 operating positions:
 - Neutral, Low tension 3 - 14kN & Nominal tension
- Synchronising mechanism
- Hydraulic front stabiliser
- Grounding device on board
- Hydraulic oil cooling system
- Machine weight 6200kg

Options

- ▶ Pull Recorder DLR300



TESMEC

		
MAX TENSION	MAX SPEED	CONDUCTOR DIAMETER
90kN	5km/h	40mm

- ✓ Twin Bull Wheel for multiple conductors
- ✓ Low Tension gearbox for OPGW stringing
- ✓ Ideal for overhead stringing

Performance	
Max pull/tension (kN)	1 x 90 or 2 x 45
Speed at max pull/tension (km/hr)	2.4
Pull/tension at max speed (kN)	16
Max speed (km/hr)	5

Characteristics	
Engine type	Diesel 104kW (140hp)
Engine output (kW/hp)	104
Electrical system (V)	12
Bull wheel Dia. (mm)	1500
Max. conductor Dia. (mm)	40
Max. rope Dia. (mm)	18
Weight (kg)	6200

Two built-in hydraulic power packs

PT2451 Digital Puller Tensioner - 100KN

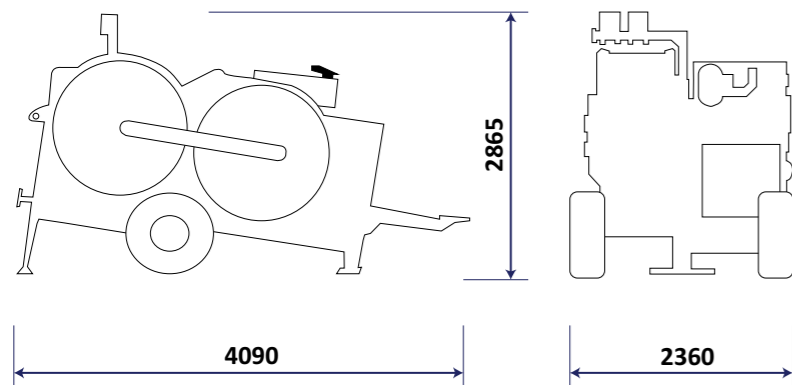
GEN4.0 TECHNOLOGY



Features

- Used for overhead stringing - one rope or two conductors
- Machine completely electronically controlled with digital HMI
- Built in data recorder
- Hydraulic rope clamps
- Full radio remote operation with cord and HMI operation fail safes
- Two pairs of bull wheels with completely independent controls
- Bullwheels lined with high resistance interchangeable nylon sectors
- 2 negative self-acting hydraulic brakes
- Diesel engine - water cooled
- Rigid axle for towing at max speed of 30km/hr

- Hydraulic power pack to control up to 2 reel stands with hydraulic motor or tworeel winders with independent controls
- Synchronising mechanism
- Gearbox with 3 operating positions:
 - - Neutral position (with free bull-wheels for conductor loading and unloading).
 - - Low tension position: 2 ÷ 12 kN as tensioner & 0 ÷ 7 kN as puller
 - - Nominal tension position.
- Synchronising mechanism
- Hydraulic front stabiliser
- Grounding device on board
- Hydraulic oil cooling system
- Machine weight 6700kg



TESMEC

MAX TENSION
100kN

MAX SPEED
5km/h

CONDUCTOR DIAMETER
42mm

- ✓ Twin Bull Wheel for multiple conductors
- ✓ 9 GEN4.0 Technology
- ✓ 9 Ideal for overhead stringing

Performance	
Max pull/tension (kN)	2 x 50/ 1 x 100
Speed at max pull (km/hr)	2
Pull/tension at max speed (kN)	5
Max speed (km/hr)	5

Characteristics	
Engine Type	Diesel 105kW (140hp)
Engine Output (kW/hp)	105
Electrical System (V)	24
Bull wheel Dia. (mm)	1500
Max. conductor Dia. (mm)	42
Max. rope Dia. (mm)	21
Weight (kg)	6700

Ideal for stringing multiple conductors



7" colour display



Radio remote control

Hydraulic Pole Puller - 56T

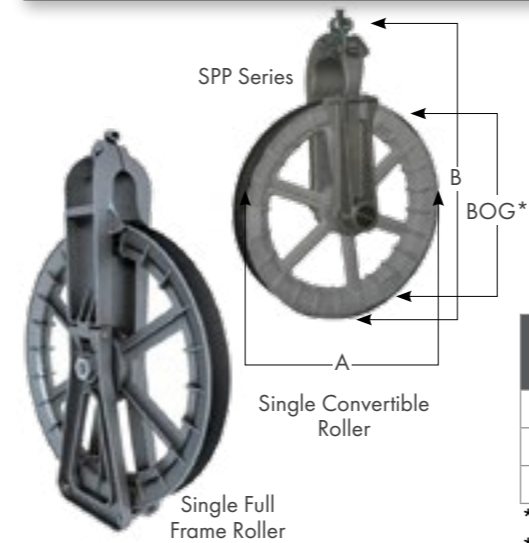


- Dual Cylinder Pole Puller
- 600mm hydraulic cylinder stroke
- High capacity, hydraulic powered
- Pulling utility poles up to 710mm diameter
- Force of 56 Tonne
- Grips the pole with cam-action heads with bevelled teeth to provide a better grip
- Use with open-centre or closed-centre hydraulic systems
- Fitted with 7.5m hydraulic hose
- Built-in fork lift pockets, 2 lifting points on the head & high strength alloy chains
- Increased stability due to larger footprint
- Increased gripping capability ensures chain does not slip up pole
- Utilises existing low pressure tool circuit on lifter borer-crane
- Hydraulics: Required flow rate 5-15gpm @ 2,250 psi max.

Performance	Pull 56 Tonne at 155 bar
Maximum pole size (mm)	710 Diameter, 2230 Circumference
Cylinder stroke (mm)	600
Head chains (mm)	2 x 22 Grade 100
Footprint (mm)	Exterior 1168 x 1168, Interior 711 x 711
Height (mm)	Retracted 1500, Extended 2100
Weight (kg)	680
Forklift pocket dim. (mm)	83 x 184 x 1168



Single Full Frame and Convertible Rollers



Helicopter attachments available

- ✓ Suitable for Distribution & Transmission
- ✓ Extra large contoured throat for swivels, grips and splices
- ✓ Precision ground bearings reduce pulling loads for accurate sagging
- ✓ Secured pins
- ✓ Durable and fully corrosion protected
- ✓ Urethane lined
- ✓ Socket fitting standard

Style	Part No. Urethane lined	Dimensions (mm)			Wt (kg)	WLL* (kg)
		A	B	BOG**		
Convertible	SPP-1B-460-UL	560	750	460	26	3636
Convertible	SPP-1B-610-UL	710	900	610	32	3636
Full Frame	78S-42-UL	1067	1473	914	70.5	2570

*Working Load Limit (WLL) based on a safety factor of the 3:1 Ultimate Tensile Strength
** BOG = Bottom of groove dimension

SPECIALIST SERVICE AND TRAINING DIVISION



SERVICE

- ▶ In country service personnel
- ▶ Stocked parts
- ▶ Preventative maintenance

Servicing and preventive maintenance is key to ensure a long, productive working life for your capital assets. Whether it's a Tesmec stringing machine or a battery hydraulic hand tool, SRT can assist with your preventative maintenance program to keep your equipment online. We have an experienced group of hydraulic technicians who can support your maintenance program for Tesmec equipment or your hydraulic and mechanical tooling.

REPAIR

- ▶ Telephone support
- ▶ Fast turn around/response
- ▶ Stocked parts

Breakdowns are inevitable, but when they happen, you need a partner that is prepared and capable to get your fleet back up and running. TEN Hire stocks a wide range of parts for Tesmec Machinery. We are the only company that can provide a regional service technician for stringing equipment (trained by the manufacturer) and in a suitable timezone for efficient customer service for trouble shooting and for fast, efficient repair if needed. Our SRT technicians can assist with fault diagnosis and troubleshooting over the phone and we can mobilise technicians on short notice for on site repairs as required.



TRAINING

- ▶ Trainers are Cert IV qualified
- ▶ Compliance to legislation with verification of competency
- ▶ Aligned to an AQTF Standard

Our stringing machine operator training is delivered by approved trainers who have undertaken training direct from the manufacturer. Participants in our training programmes receive a detailed training manual with theory and practical assessments designed to build and confirm operational competency. Our trainers are Cert IV qualified in training and assessment and deliver our training package at our site or yours to AQTF standard. This training package has been developed, delivered and improved over years of deployment to Australian utilities and contractors alike. TEN have trained over 1000 operators in the use of high risk stringing plant.

REFURB

- ▶ Mine Spec
- ▶ Safety upgrades
- ▶ Condition assessment and reporting

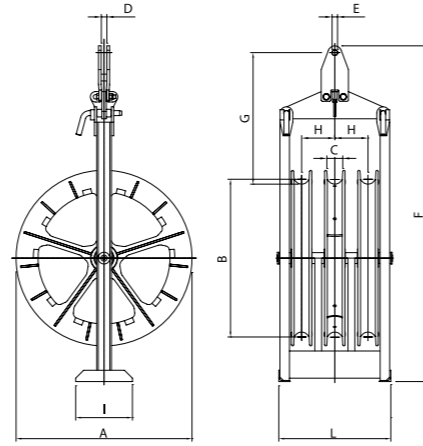
Extend the life of your valuable Tesmec stringing assets by refurbishment through our SRT Team. Our team provides a customised refurbishment proposal based on the machinery's age, working hours, general condition and any specific repairs or parts replacement required. Machines can be upgraded with additional guarding and safety features developed for newer machines, helping meet your WH&S compliance requirements around high risk plant. Machines can be calibrated prior to delivery to your yard or site.



Triple Bundle Stringing Rollers



- ✓ Moulded aluminium sheaves mounted on ball bearings
- ✓ Interchangeable nylon sectors
- ✓ Galvanised steel frame
- ✓ Comes with heli-horn for Helicopter operations
- ✓ Weight 250kg
- ✓ 180kN Working Load Limit



Dimensions (mm)									
A	B**	C	D	E	F	G	H	I	L
893	800	95	25	26	1775	765	175	300	805

**BOG = Bottom of Groove dimension

Universal Stringing Roller

Part No. SPP-1A



- ✓ Suitable for distribution and ABC
- ✓ Lightweight high strength heat treated aluminium sheave
- ✓ Also available neoprene and urethane lined
- ✓ Versatile attachment fittings include side and bottom tags and top ball socket fitting
- ✓ Side gate latch can be locked open
- ✓ Sheave is profile machined permitting precise sagging of conductor

Max. OD conductor (mm)	50
WLL (kg)	1130
Weight (kg)	4.3
BOG Dia. (mm)	110
W x H (mm)	206 x 406

Universal Roller Bracket

Part No. SPP-1A-BKT



- ✓ Versatile mounting bracket for cross arms and poles
- ✓ Frame made from Cast Aluminium
- ✓ Lightweight, easy to install
- ✓ Heavy Duty Strap and Zinc plated Ratchet Assembly
- ✓ 3 Mounting holes for various configurations
- ✓ Ball pin to secure roller

Roller & bracket hired separately

Min. cross arm size (mm)	100 x 100
Suits poles OD (mm)	200 - 470
WLL (kg)	500
Weight (kg)	2

Reel Winder

Part No. RVA001



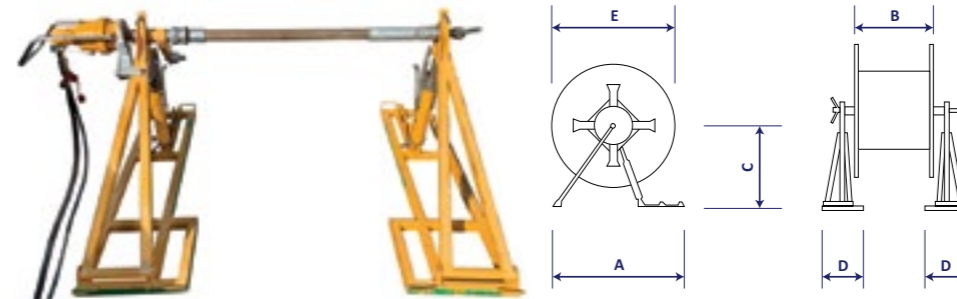
TESMEC

- ✓ Used with Puller/Tensioner in tension stringing operations
- ✓ Equipped with automatic level winder
- ✓ Can operate with the standard 1100mm and 1400mm reels

Capacity WLL (T)	Machine Weight No rope or reel (kg)
2	525

Hydraulic Drum Elevators Heavy Duty

Part No. CVI609 & CDT063



Drum Elevator (CVI609) shown with axle for steel drum (CDT063)

- ✓ Operates on any Tesmec machine with hydraulic outlets
- ✓ Compact design and easy to handle



Part No.	Dimensions (mm)								Capacity (kN)	Wt (kg)
	A	B min	B max	C min	C max	D	E min	E max		
CVI609	2140	800	1500	580	1340	640	1200	2500	80	305

Hydraulic Motor - Reel Winder

Part No. TIH001

Fast assembling hydraulic motor for control of the drum winding and unwinding.

Max torque (Nxm)	Max rotating speed (rpm)	Wt (kg)
1.8k	45	76



Steel Drum Axles

Part No. CDT AXLES



Hydraulic Hose Set

Part No. TUT Series

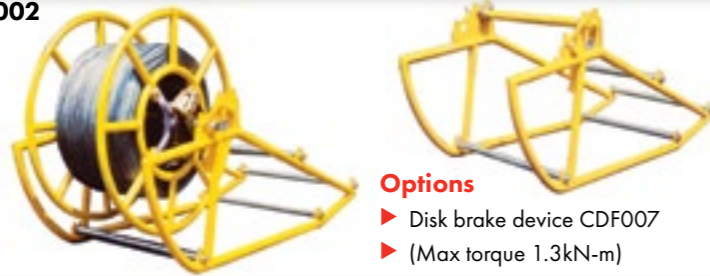
Part No.	TUT002
Length (m)	10
Weight (kg)	23



Hoses available for sale. Contact TEN for further information

Cradle Reel Elevators

Part No. CVC002



Options

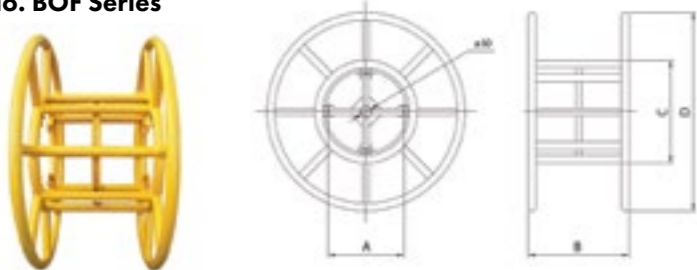
- ▶ Disk brake device CDF007
- ▶ (Max torque 1.3kN-m)

- ✓ Detachable frame
- ✓ Light design

Reel model	Dimensions (mm)	Capacity (kN)	Wt (kg)
BOF010/BOF020	2550L x 1325W x 1060H	20	58

Standard Reels (Fixed)

Part No. BOF Series



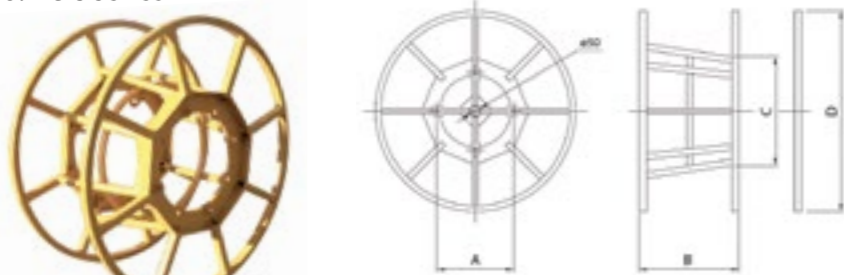
TESMEC

- ✓ World wide standard design
- ✓ Welded steel with protective coating

Part No.	Dimensions (mm)				Wt (kg)
	A	B	C	D	
BOF010	420	560	570	1100	53
BOF020	420	560	570	1400	73

Detachable Reels

Part No. BOC Series



- ✓ Detachable side and conical drum facilitate removal of rope or conductor coil
- ✓ World wide standard design

Part No.	Dimensions (mm)				Wt (kg)
	A	B	C	D	
BOC040	420	560	590	1100	75
BOC050	420	560	590	1400	86
BOC310	420	890	626	1900	210

Galvanised Steel Anti-twisting Rope with Eye



Anti-twist braided galvanised steel rope, made of braiding strands. Comes standard on BOF010 Reels.

Part No.	Nominal Diameter (mm)	Supplied with Spliced Eyes	Indicative Lubricated Mass Rope (kg/m)	Breaking Load (kN)	Standard Length (m)
FUX013	13	ALF002	0.55	105	1600

Dyneema Rope- Polyester Covered



Dyneema (Prima) Rope, with Polyester Cover, 1000m supplied on a BOF010 reel

Part No	Diameter (mm)	Weight (g/m)	MBL (t)
H-53-010-1000	12	93.15	16

Polyester covered Dyneema Rope on BOF010 Reel

Electric Pumps - 10,000 psi output



Supplied with high pressure hoses

- ✓ Suitable for both single and double acting
- ✓ Two stage pumping piston to ensure rapid tool advance
- ✓ Safety relief valve
- ✓ Reservoirs with oil view gauge

Dimensions (mm)	205L x 205W x 380H
Specific features	Top Carry Handle
Horse Power (kW)	0.6hp/ 0.47
Power Source	240 VAC
Oil Reservoir (L)	2.8
Oil Delivery/ Min	2621 cm ³ @ 100 PSI/ 491 @ 10,000 PSI
Control	Air Switch (Supplied)
Weight Inc. Oil (kg)	16.2



- ✓ 10,000PSI output pump
- ✓ Two stage pump
- ✓ Reservoirs with oil view gauge
- ✓ 4 way 3 position valve
- ✓ 7.5L Reservoir

Hydraulic Single Acting Press Head - 60T

Part No. REL-60SA-TEN

Output Force (T)	60
Rated Pressure (PSI)	10,000 (700 Bar)
Stroke Length (mm)	38.1
Height (mm)	432
Accepts Die Type	Standard 60T "C"/"U" Type dies (Alcoa, Burndy, Izumi)
Crimping Capacity AF (mm)	Cu: 48 Al: 52.5 St: 20
Specific Features	Removable Die Cap, Wide Base
Storage Device Supplied	Steel Box
Weight of Tool (kg)	21.3



Hydraulic Double Acting Press Head - 100T

Part Number: HP100T-DA

Features

- Quick coupler for easy disassembly
- Top of the head rotates 90 degrees and can be lifted off to remove completed connection

Output Force (T)	100
Rated Pressure (PSI)	10,000 (700 Bar)
Stroke Length (mm)	31
Die Type	100T Izumi Style Dies
Crimping Capacity (mm)	Max Cu/Al 1000mm ² Max Steel AF 36
Storage Device Supplied	Steel Box
Weight of Tool (kg)	34.5



TEN Hire Request Form

To help us offer you the best possible service with the right equipment at the right time, please click or scan the QR Code, print and complete the form, and email to hire@tengroup.com.au

Date

Contact Details

Name

Position title

Company

Address

Telephone Mobile

Email



Overhead

Project Specific

Project start date

Expected construction time (stringing)

Project start location

Project finish location

Stringing Requirements

Project

New Line Reconductoring

OPGW OD (mm) Earth wire OD (mm)

Conductor type (ACSR, AAAC...) and OD (mm)

Number of conductors per phase

Hydraulic Reel Elevator & Reel Winder

Cable Drum Width (mm) Min: Max:

Cable Drum Dia. (mm) Min: Max:

Maximum drum weight with conductor:

Steel Drums Wooden Drums Please tick box to indicate YES

Accessories Required

Conductor stringing sheaves

Total number of blocks (or towers) in the section

Conductor stringing sheaves (helicopter):

Running/head boards:

Earth mats

Please tick boxes to indicate YES

Underground

Project start date

Project

Cable Length (m) Voltage (kV)

Sheath Type Drum Weight kg

Cable pulling calculations required Yes: No:

(TEN will advise cable lubricant requirements)

Winch type (1.5T Petrol, 3.5T Diesel):

Rope (please tick which): Steel: Dyneema:

Conduit internal dia (mm):

Comments

TENHIRE

Our Fleet, Your Projects.



SERVICE
REPAIR/REFURB
TRAINING



TEN HIRE

ABN - 22 131 907 554

91 Basalt Street
GEEBUNG QLD 4034

P +61 7 3212 8999

W www.tenhire.com.au

E hire@tengroup.com.au

